

# CASETA DE JARDÍN CON EXTENSIÓN



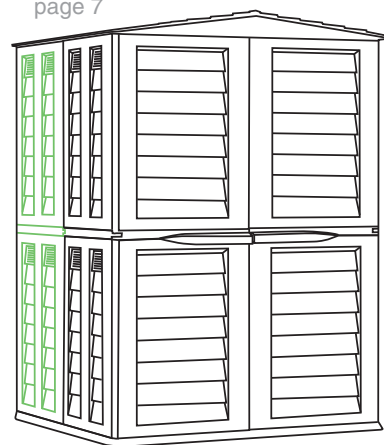
## Basic

page 3



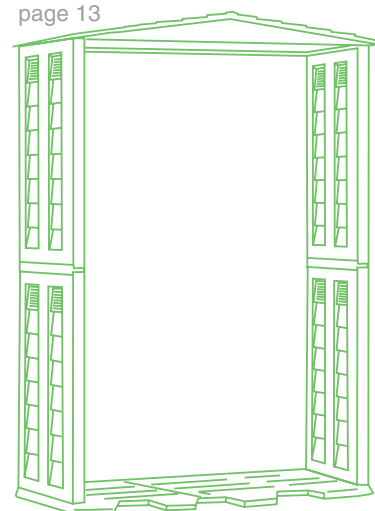
## with Add-On

page 7



## Add-On to basic

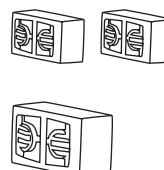
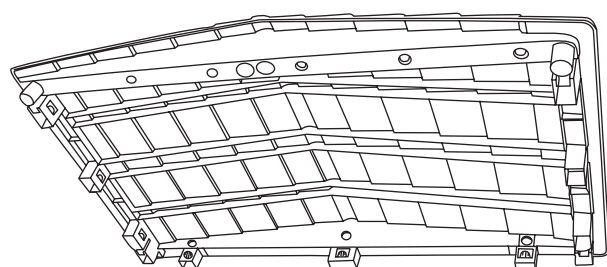
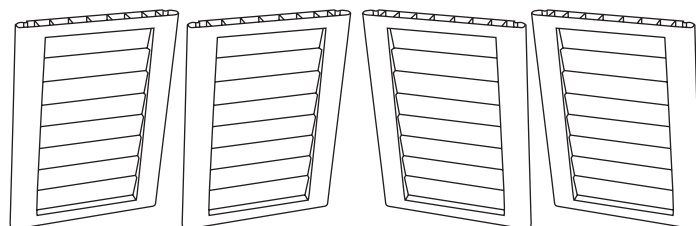
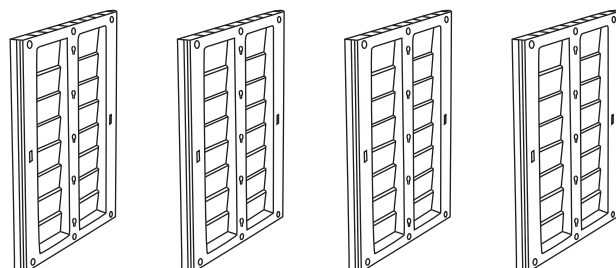
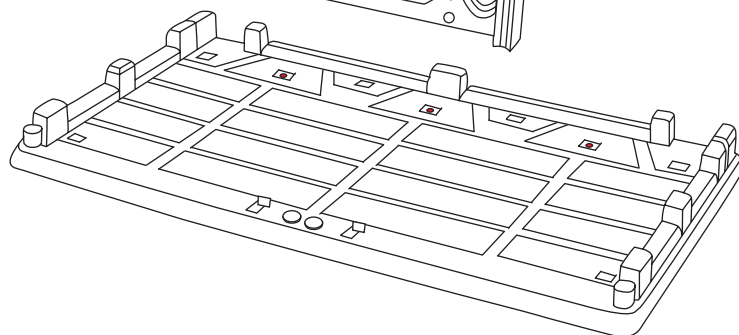
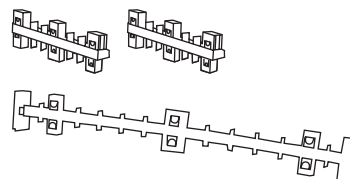
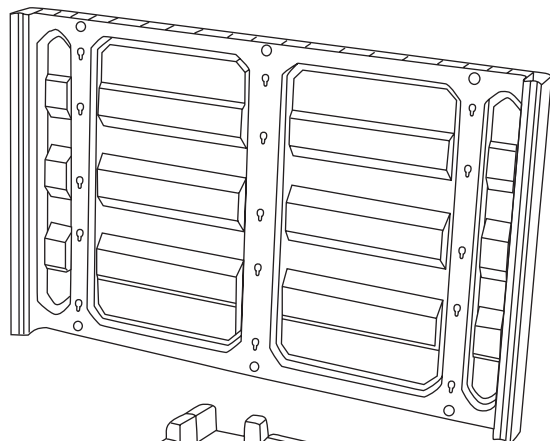
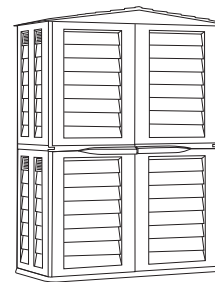
page 13



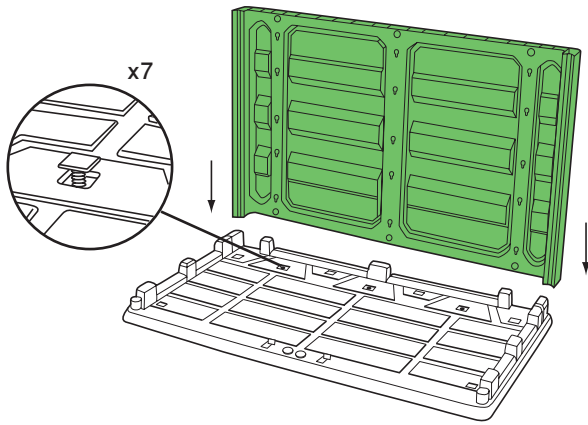


# Tall Garden Shed **basic**

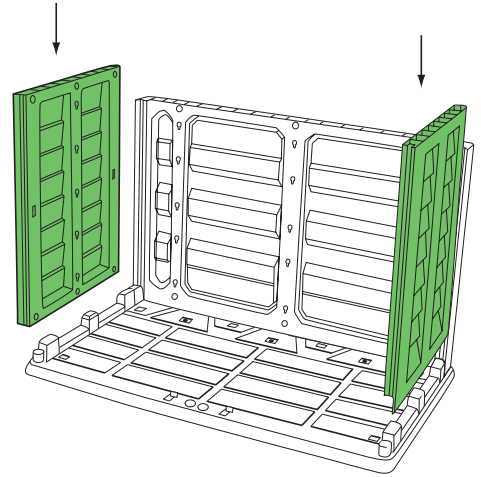
parts:



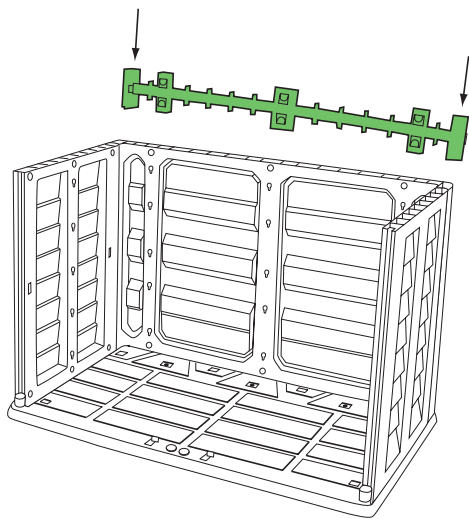
1



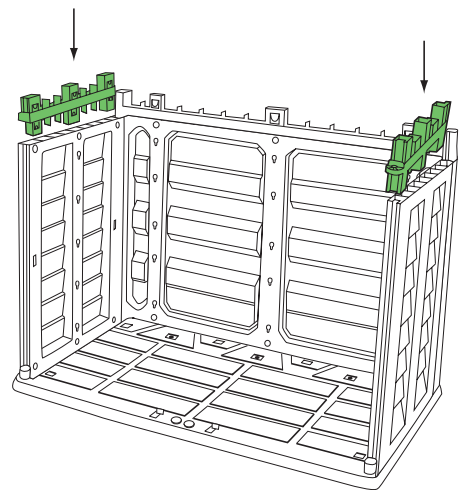
2



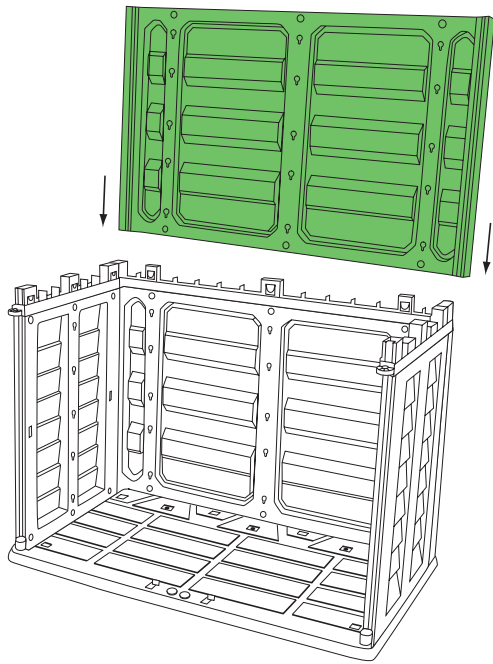
3



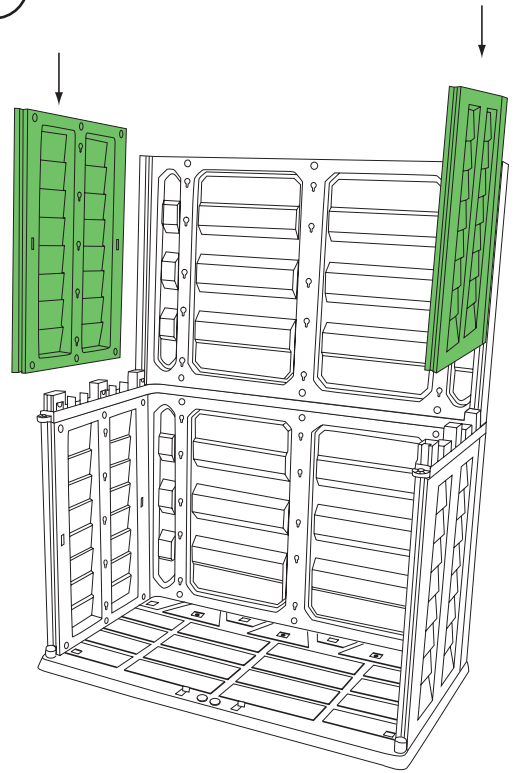
4



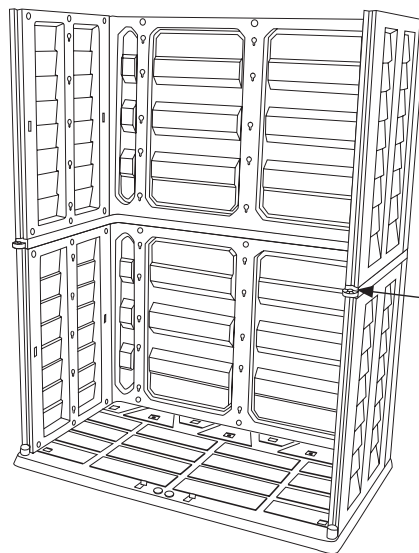
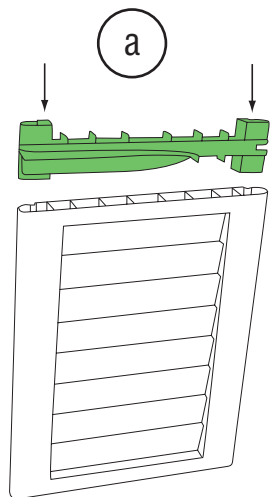
5



6

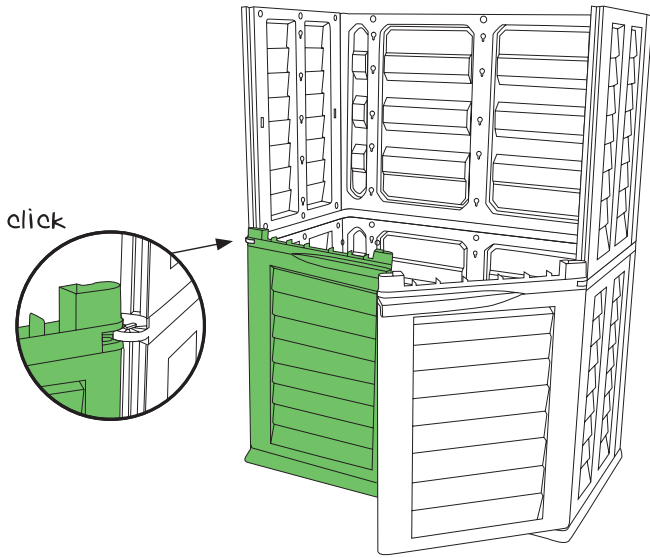


7

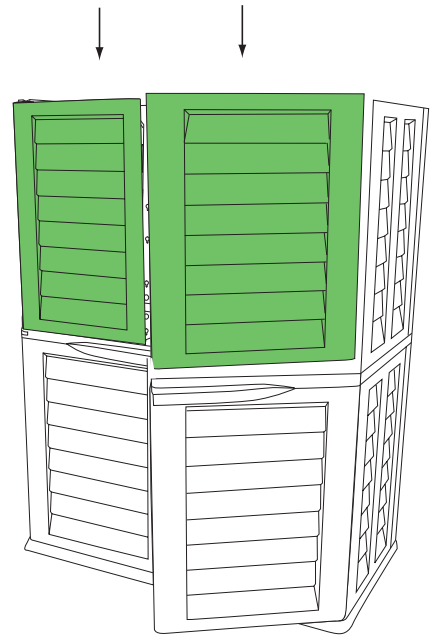


click

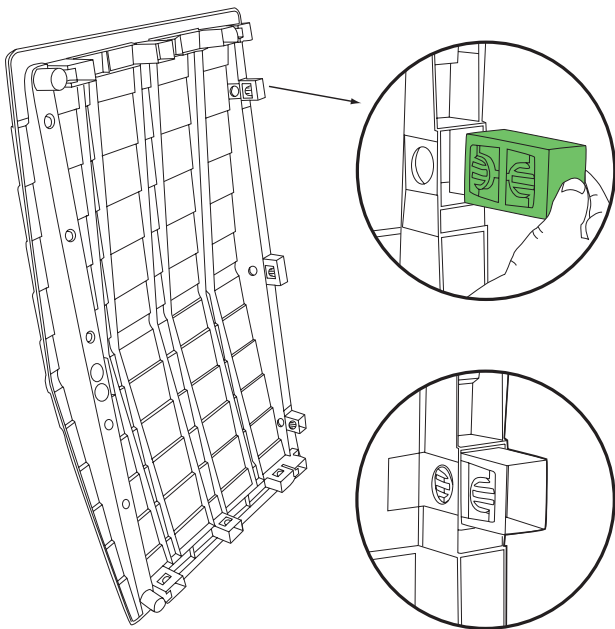
8



9



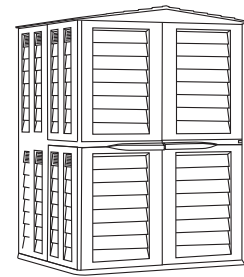
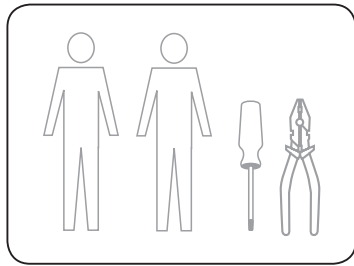
10



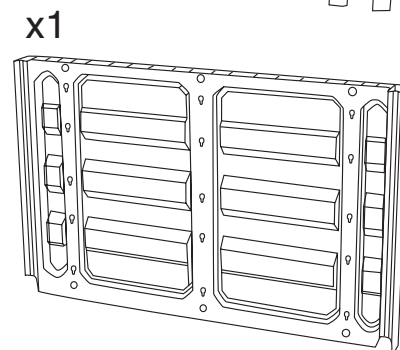
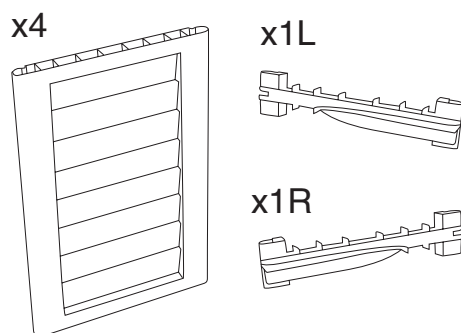
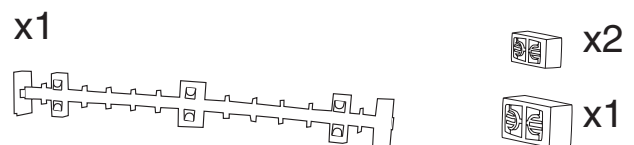
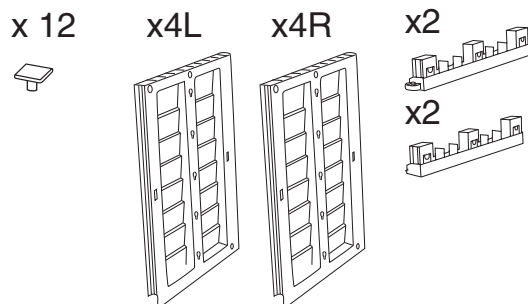
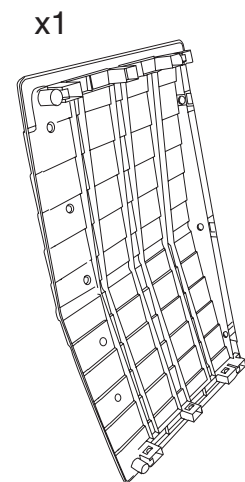
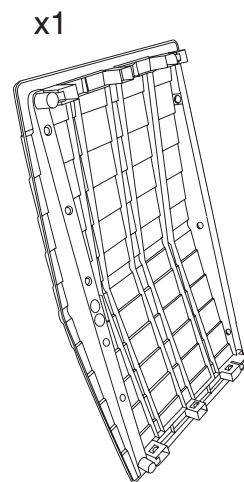
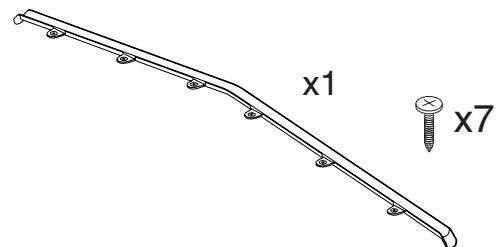
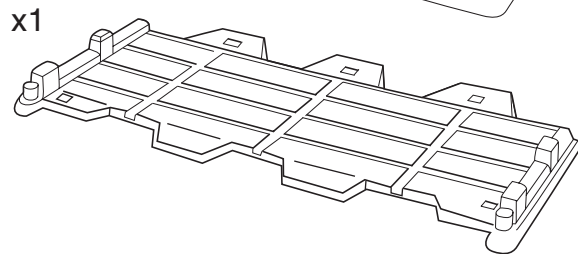
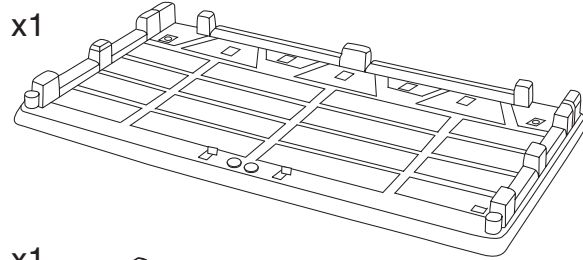
11



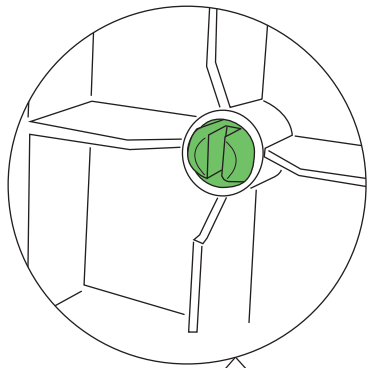
# Tall Garden Shed with **Add-On**



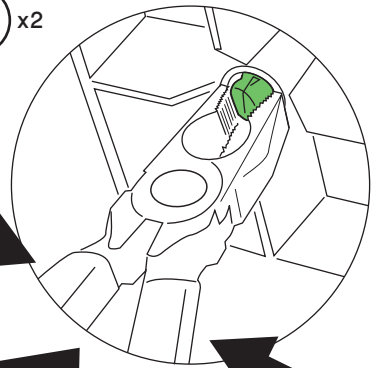
parts:



1

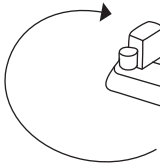


b x2

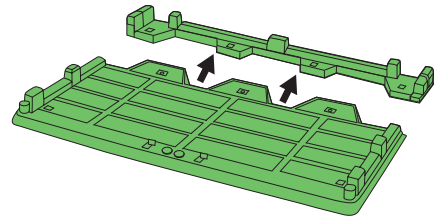
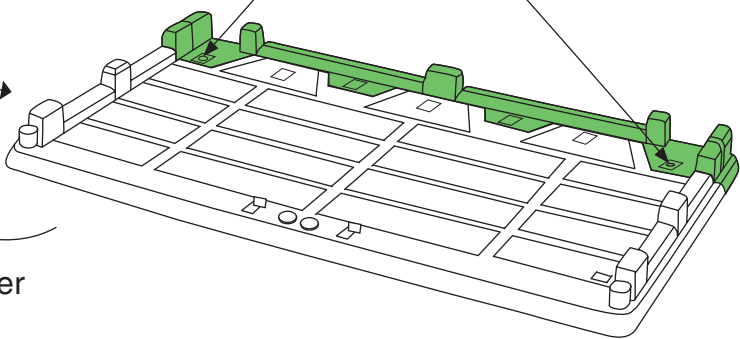


PUSH

a

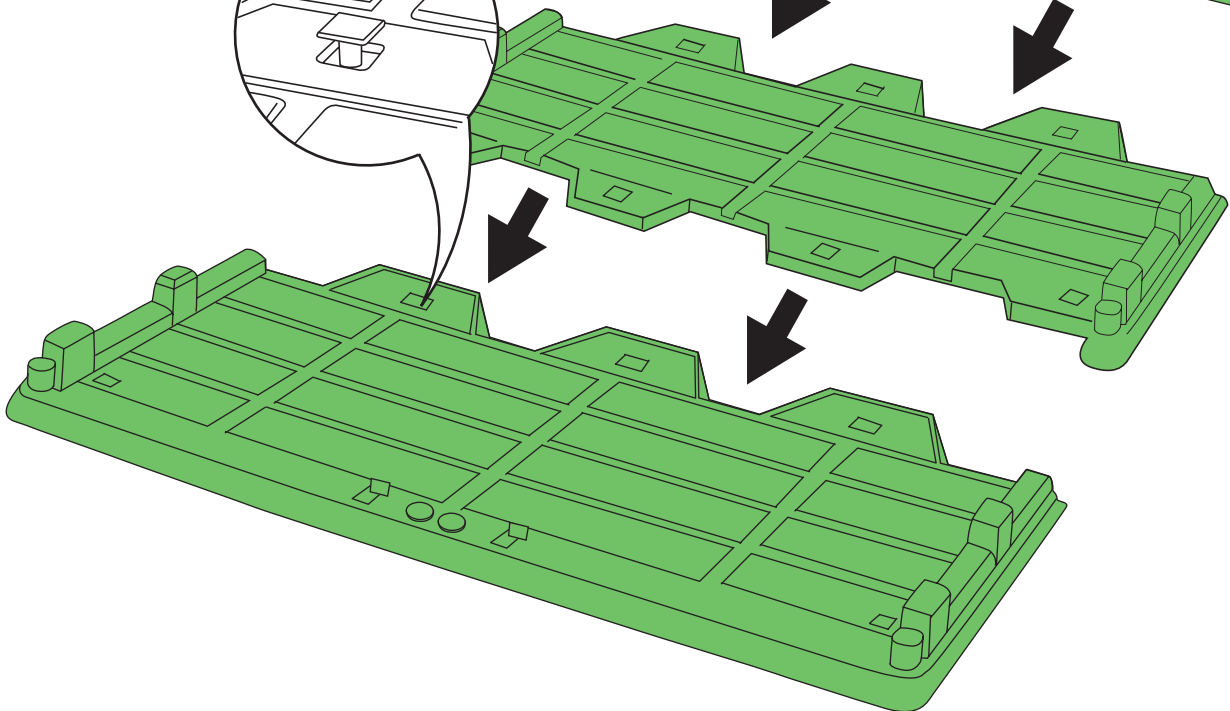
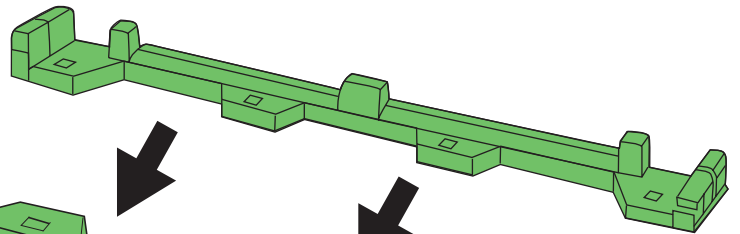
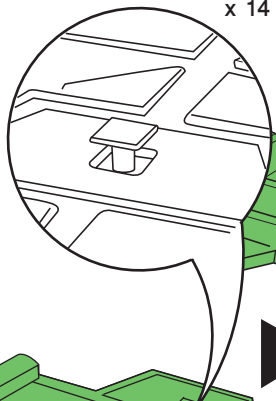


Turn over



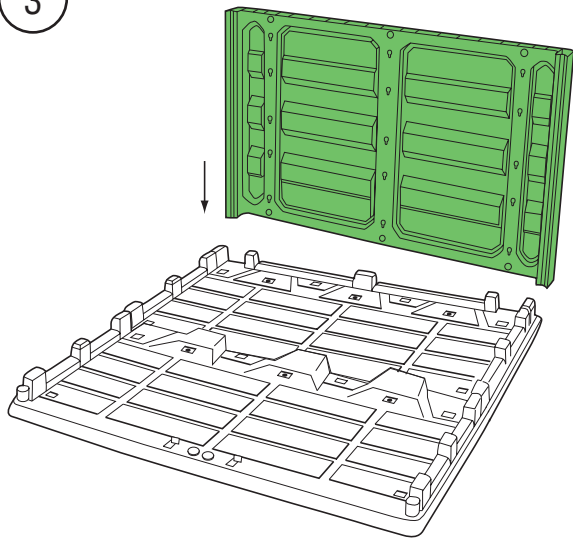
2

x 14

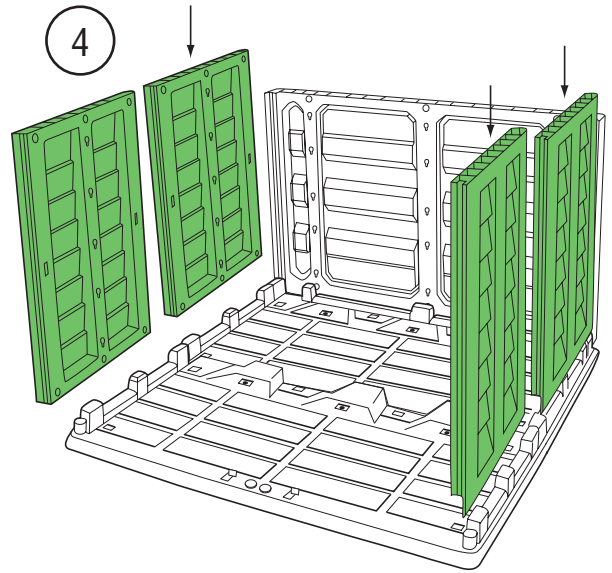




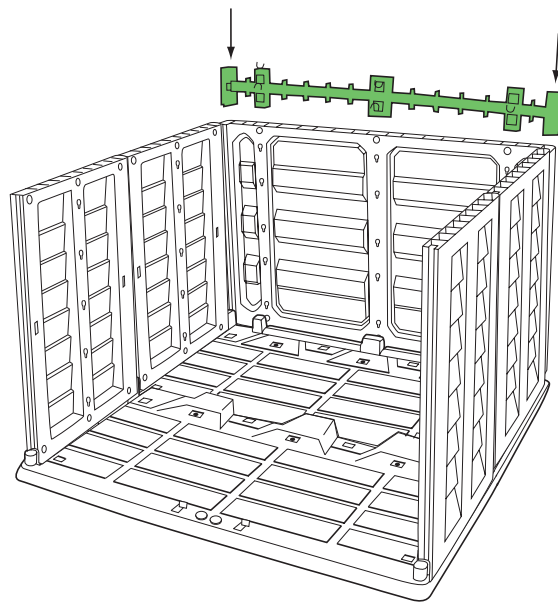
3



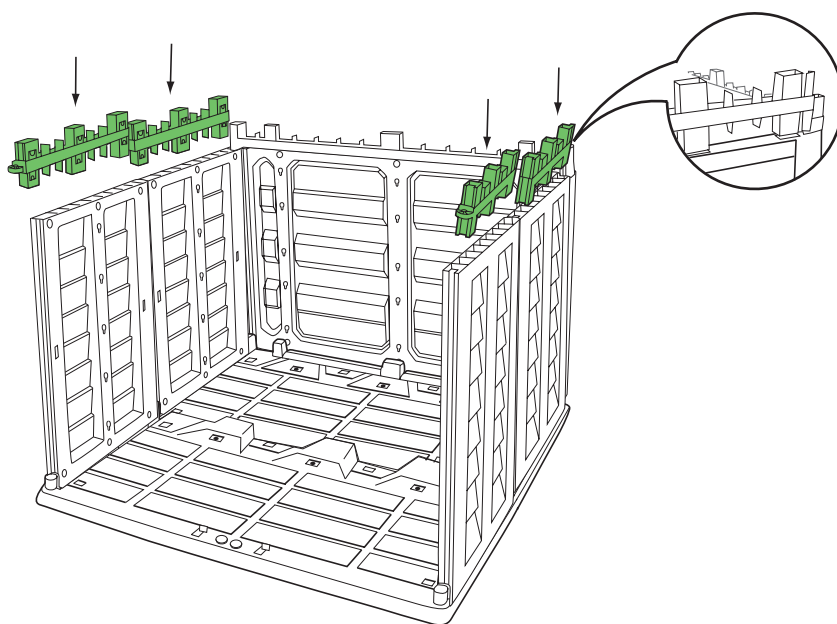
4



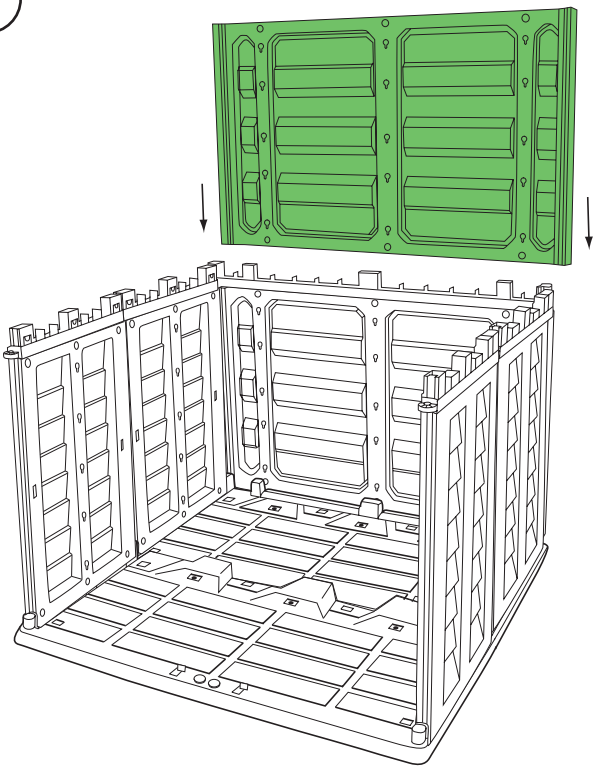
5



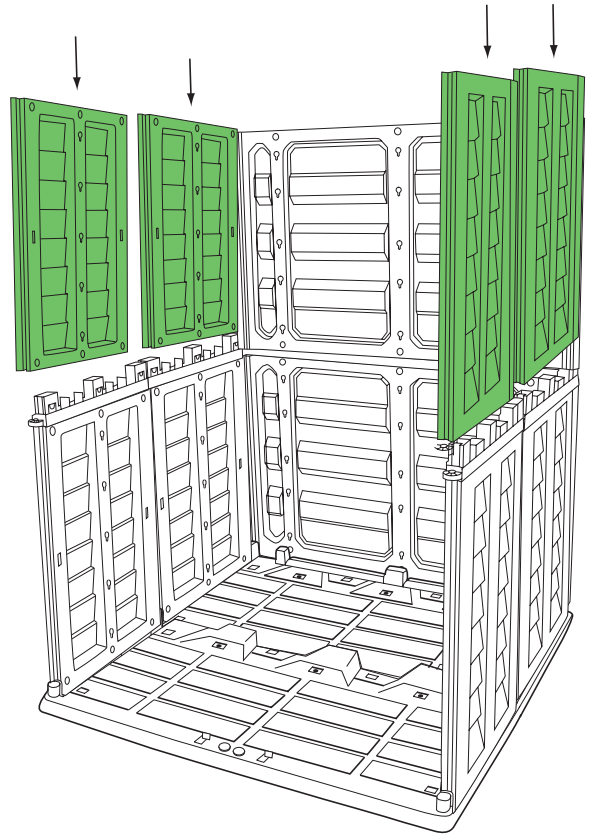
6



7

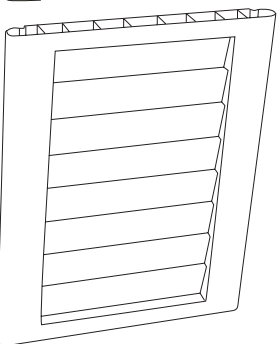
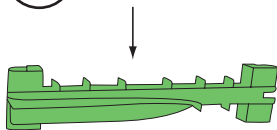


8

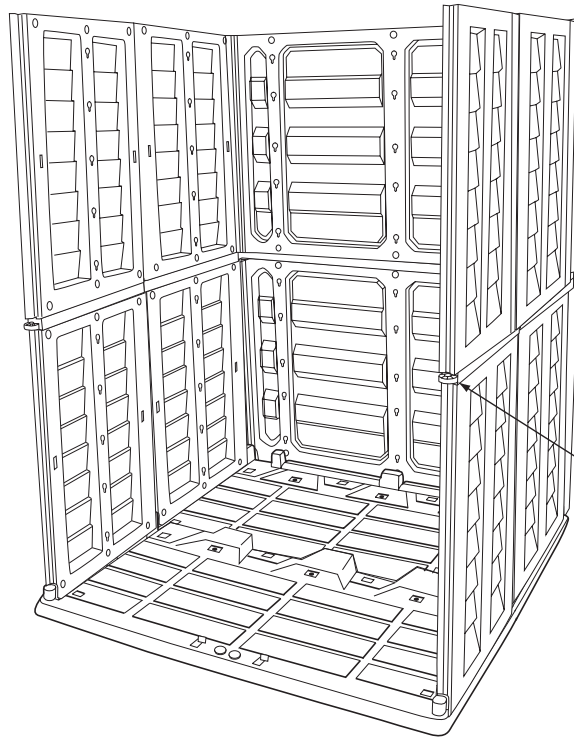


9

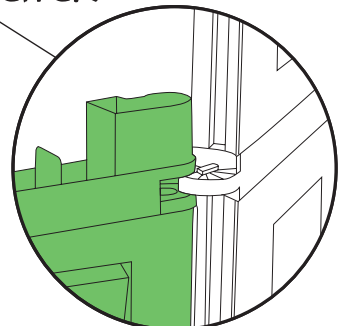
a



b

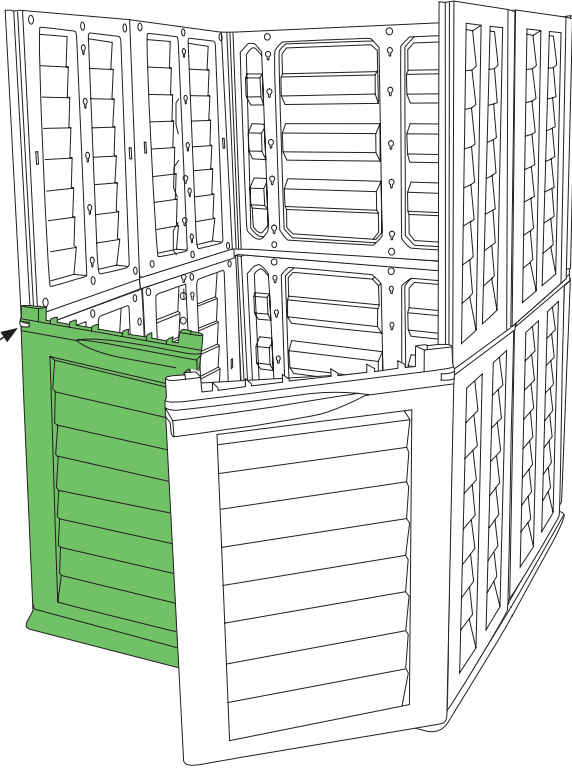
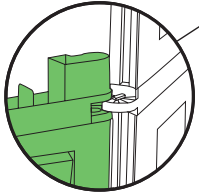


click

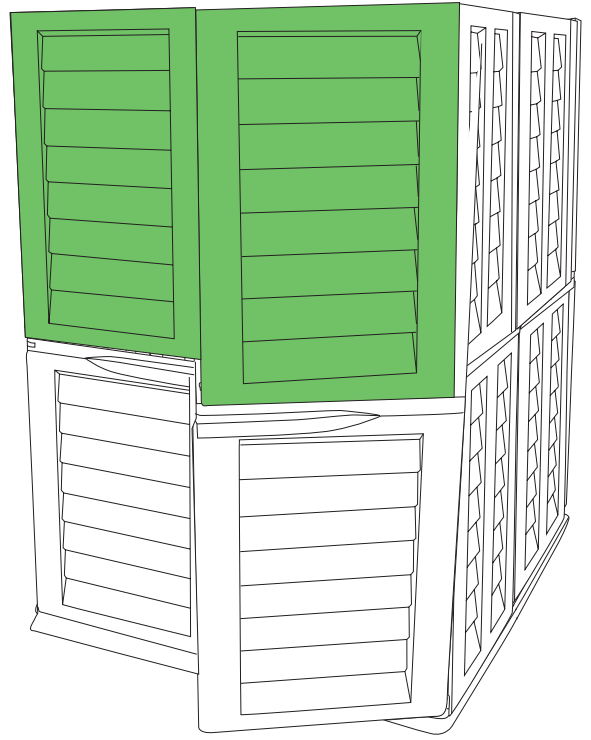


10

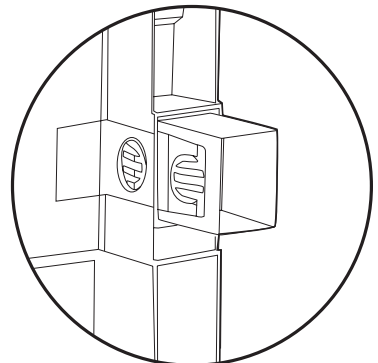
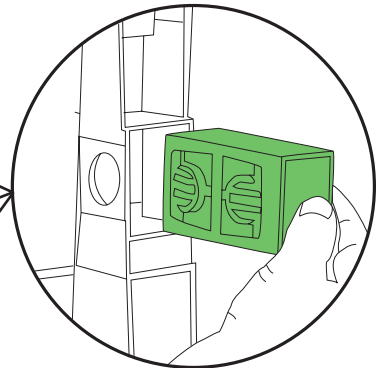
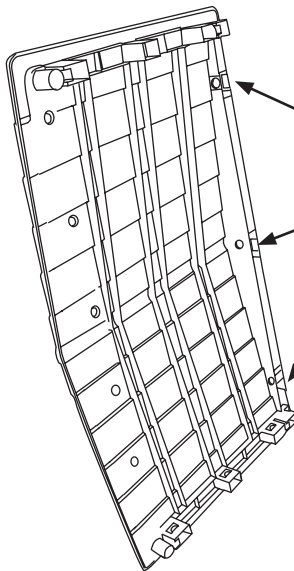
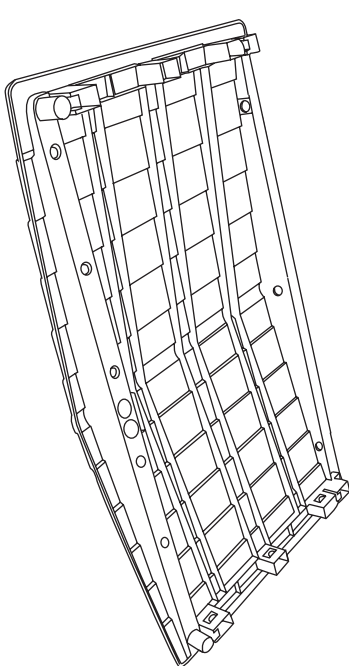
click



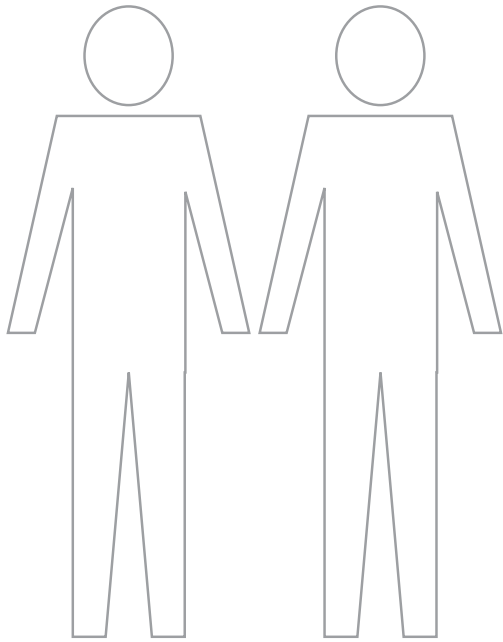
11



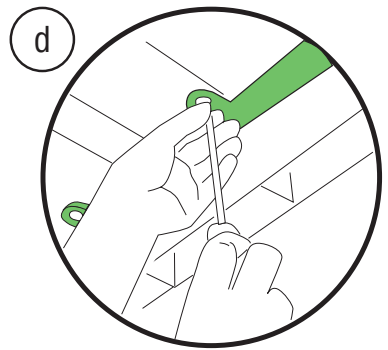
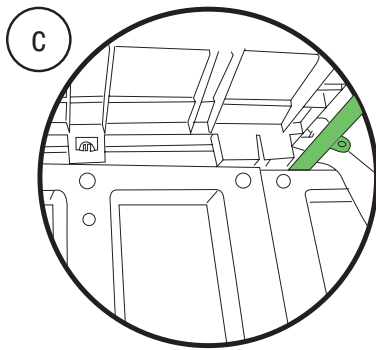
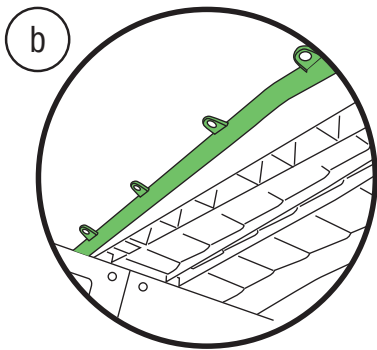
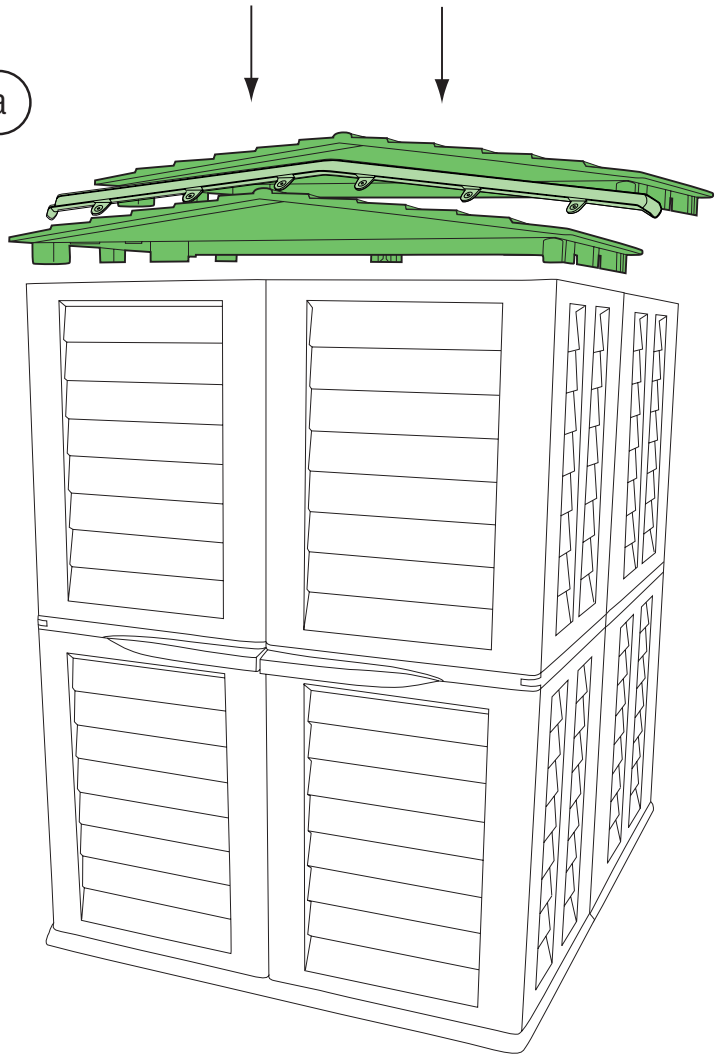
12



13

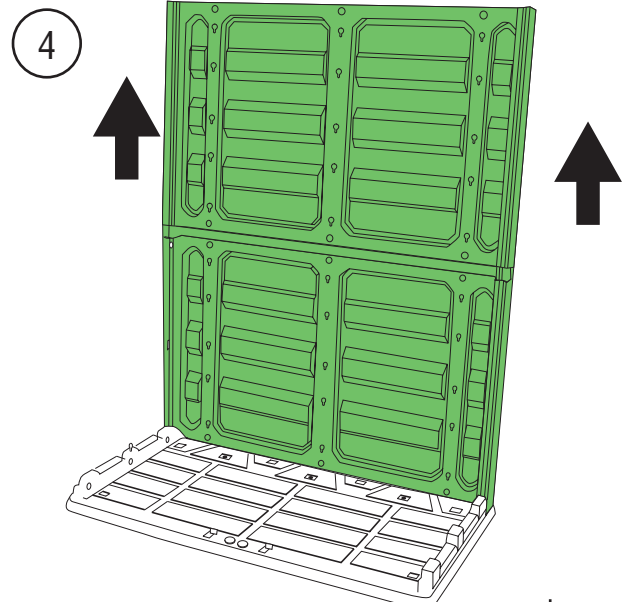
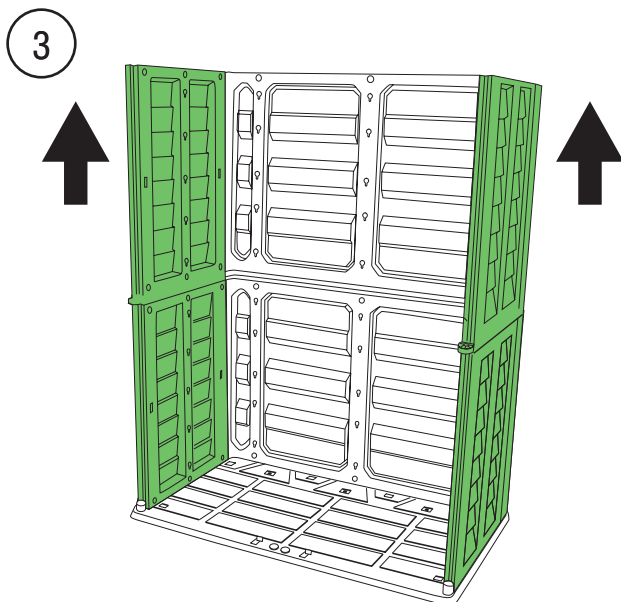
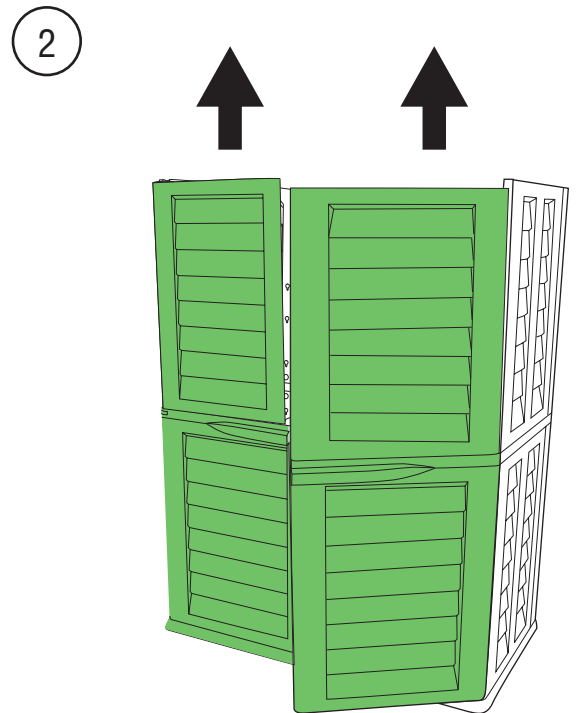
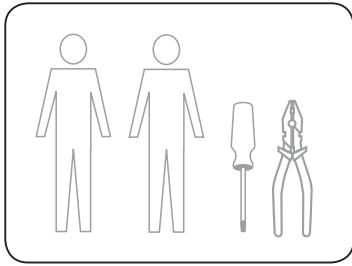


a

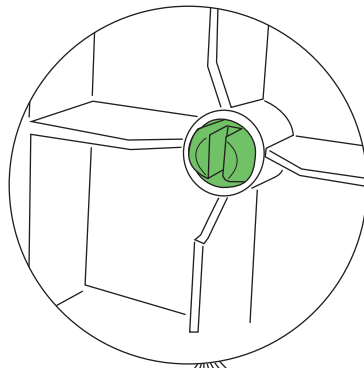


# Add-On to existing garden shed

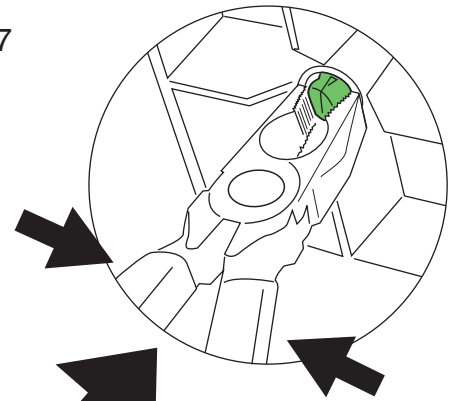
## How to dis assemble



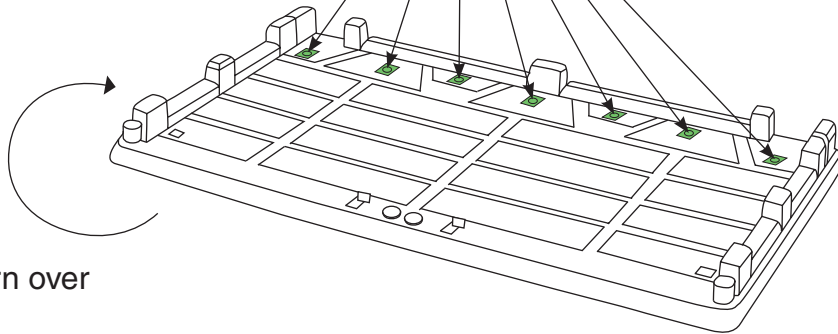
5



6 x7

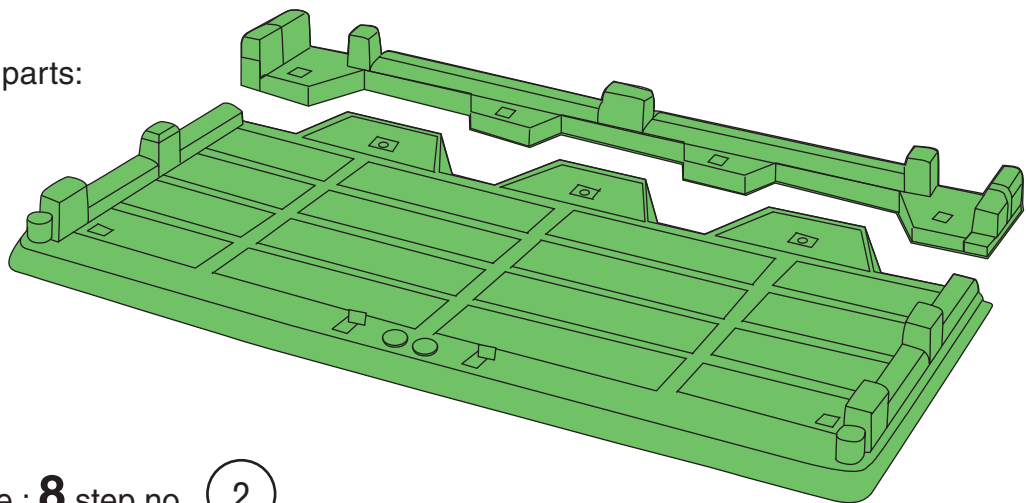


PUSH



Turn over

You get 2 parts:



Go to page : **8** step no. **2**





